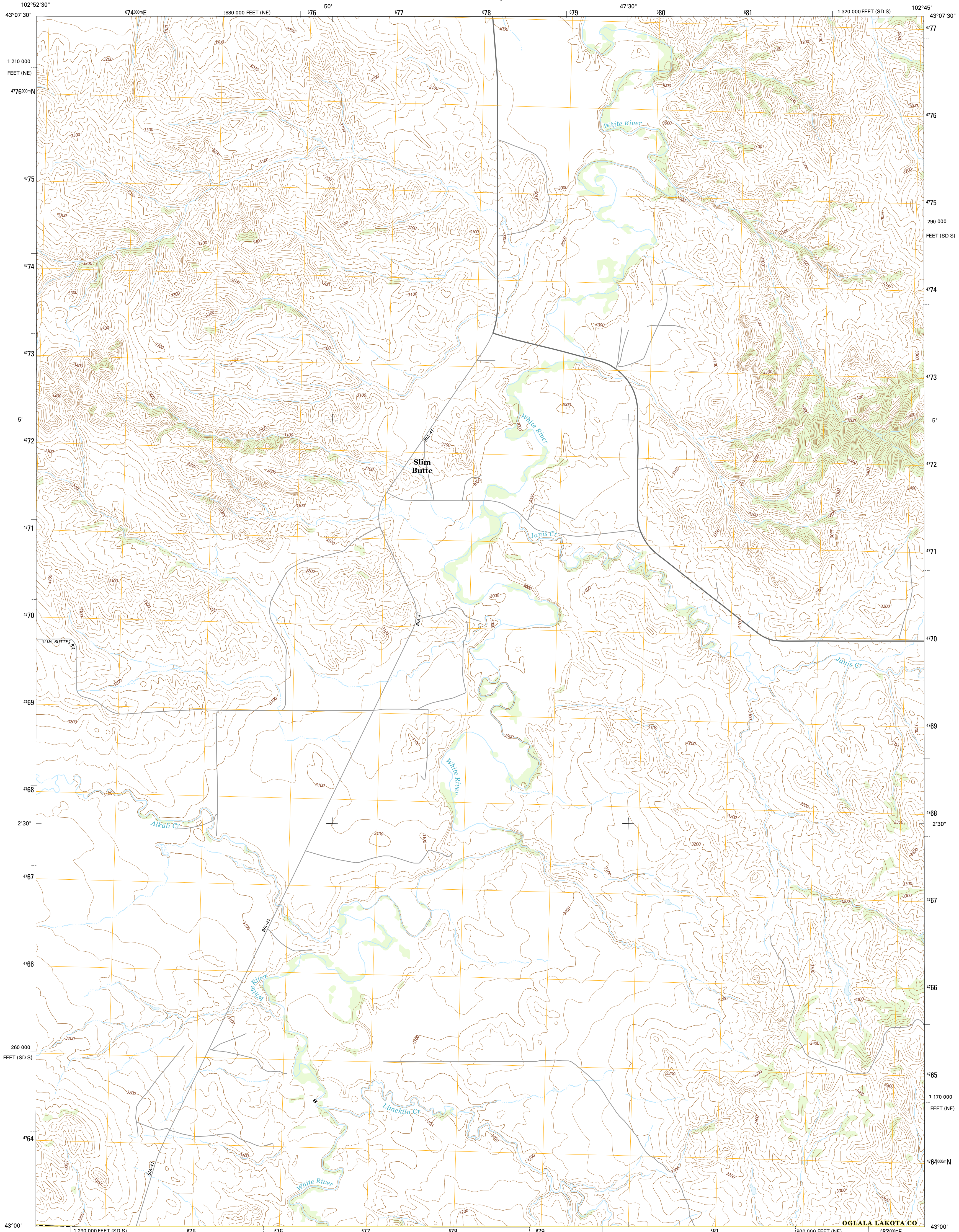




U.S. DEPARTMENT OF THE INTERIOR
U.S. GEOLOGICAL SURVEY



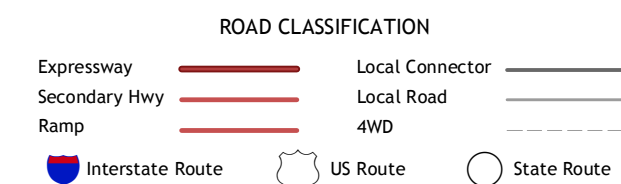
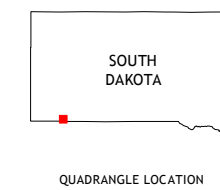
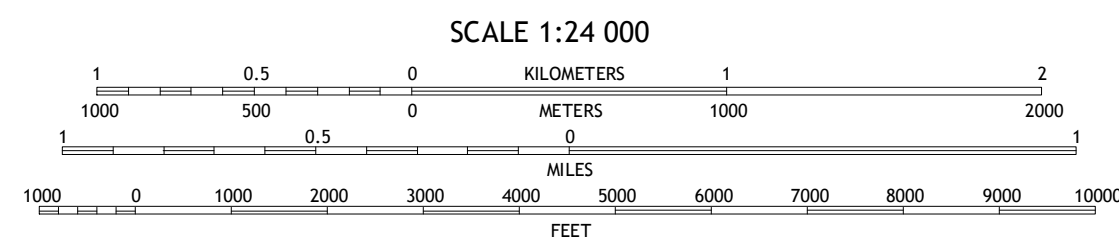
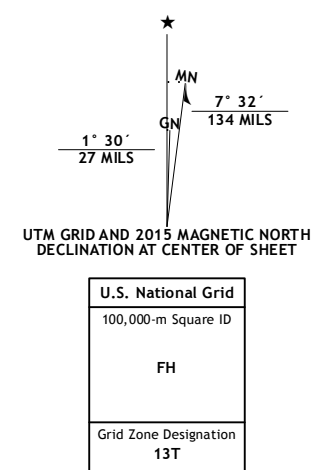
SLIM BUTTE QUADRANGLE
SOUTH DAKOTA-NEBRASKA
7.5-MINUTE SERIES



Produced by the United States Geological Survey
North American Datum of 1983 (NAD83)
World Geodetic System of 1984 (WGS84), Projection and
1 000-meter grid: Universal Transverse Mercator, Zone 13T
10 000-foot ticks: South Dakota Coordinate System of 1983
(south zone), Nebraska Coordinate System of 1983

This map is not a legal document. Boundaries may be
generalized for this map scale. Private lands within government
reservations may not be shown. Obtain permission before
entering private lands.

Imagery: NAIP, July 2014
Roads: HERE, ©2013 - 2014
Names: GNS, 2015
Hydrography: National Hydrography Dataset, 2014
Contours: National Elevation Dataset, 2007
Boundaries: Multiple sources; see metadata file 1972 - 2015
Public Land Survey System: BLM, 2014 - 2015



1	2	3
4	5	6
7	8	

ADJOINING QUADRANGLES

1 Slim Butte NW
2 Slim Butte NE
3 Oglala
4 Slim Butte SW
5 Pine Ridge SW
6 Isinglass Buttes
7 Chadron NE
8 Beaver Wall

SLIM BUTTE, SD-NE
2015

