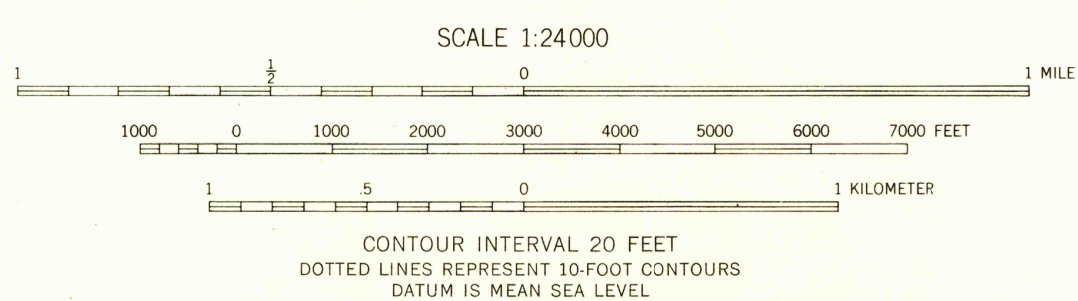




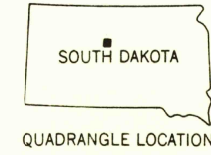
U.S.G.S.
FILE COPY
TOPOGRAPHIC DIVISION

101°00' Mapped, edited, and published by the Geological Survey as part of the Department of the Interior program for the development of the Missouri River Basin Control by USGS and USC&GS
Topography from aerial photographs by multiplex methods Aerial photographs taken 1948. Field check 1956
Polyconic projection. 1927 North American datum 10,000-foot grids based on South Dakota coordinate system, north and south zones
1000-meter Universal Transverse Mercator grid ticks, zone 14, shown in blue
Areas covered by dashed light-blue pattern to be submerged by Oahe Reservoir
Elevation flood control pool 1620

123°0' TRUE NORTH
MAGNETIC NORTH
APPROXIMATE MEAN DECLINATION, 1956



USGS
HISTORICAL FILE
TOPOGRAPHIC DIVISION



ROUSSEAU CREEK SW, S. DAK.
N4445-W10052.5/7.5

ROAD CLASSIFICATION
Unimproved dirt -----

U.S.G.S.
FILE COPY
TOPOGRAPHIC DIVISION

THIS MAP COMPLIES WITH NATIONAL MAP ACCURACY STANDARDS
FOR SALE BY U. S. GEOLOGICAL SURVEY, DENVER 2, COLORADO OR WASHINGTON 25, D. C.
A FOLDER DESCRIBING TOPOGRAPHIC MAPS AND SYMBOLS IS AVAILABLE ON REQUEST

1956

OCT - 2 1957
2105