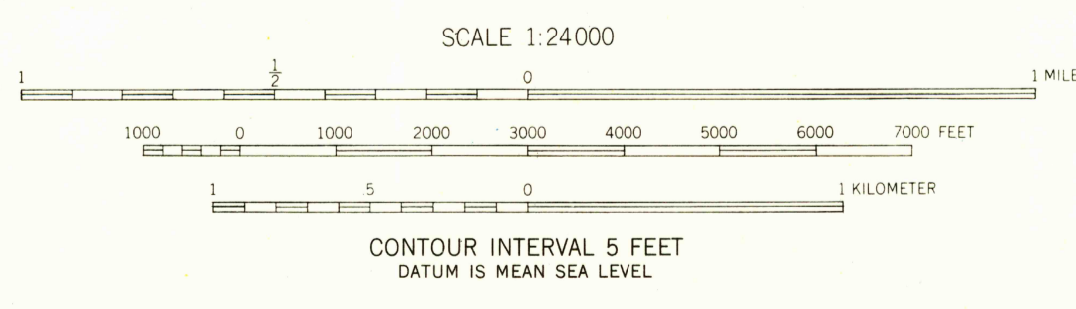


Mapped, edited, and published by the Geological Survey as part of the Department of the Interior program for the development of the Missouri River Basin. Control by USGS, USC&GS, and U. S. Bureau of Reclamation. Culture and drainage in part compiled from aerial photographs taken 1951. Topography by plane-table surveys 1953. Polyconic projection. 1927 North American datum. 10,000-foot grid based on South Dakota coordinate system, north zone.



USGS HISTORICAL FILE TOPOGRAPHIC DIVISION

ROAD CLASSIFICATION

Heavy-duty	4 LANE (6 LANE)	Light-duty
Medium-duty	4 LANE (6 LANE)	Unimproved dirt

U. S. Route State Route

SOUTH DAKOTA
QUADRANGLE LOCATION

REDFIELD NORTH, S. DAK.
N4452.5—W9830/7.5

1953

U.S.G.S.
FILE COPY
TOPOGRAPHIC DIVISION

OCT 14 1955

2630

THIS MAP COMPLIES WITH NATIONAL MAP ACCURACY STANDARDS
FOR SALE BY U. S. GEOLOGICAL SURVEY, FEDERAL CENTER, DENVER, COLORADO OR WASHINGTON 25, D. C.
A FOLDER DESCRIBING TOPOGRAPHIC MAPS AND SYMBOLS IS AVAILABLE ON REQUEST