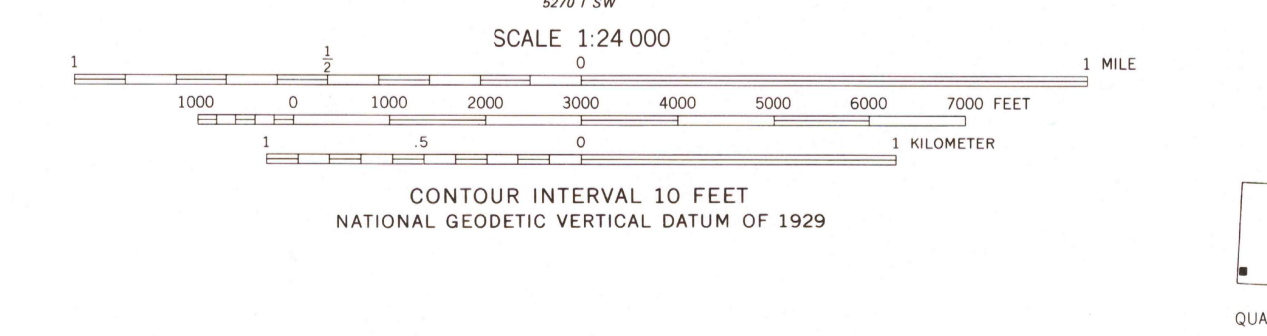
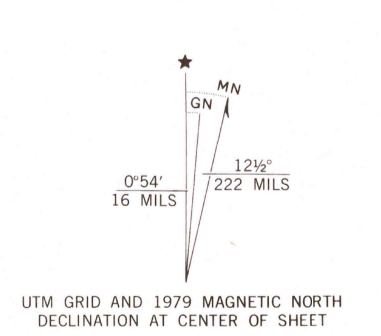


Mapped, edited, and published by the Geological Survey as part of the Department of the Interior program for the development of the Missouri River Basin
Control by USGS and USC&GS
Topography from aerial photographs by multiplex methods
Aerial photographs taken 1949. Field check 1950
Polyconic projection. 1927 North American datum
10,000-foot grid based on South Dakota coordinate system, south zone
To place on the predicted North American Datum 1983
move the projection lines 7 meters north and
43 meters east as shown by dashed corner ticks
1000-meter Universal Transverse Mercator grid ticks,
zone 13, shown in blue
There may be private inholdings within the boundaries of
the National or State reservations shown on this map



ROAD CLASSIFICATION

Primary highway, hard surface	Light duty road, hard or improved surface
Secondary highway, hard surface	Unimproved road

○ Interstate Route □ U. S. Route ○ State Route

USGS
Historical File
Topographic Division

SOUTH DAKOTA
QUADRANGLE LOCATION

THIS MAP COMPLIES WITH NATIONAL MAP ACCURACY STANDARDS
FOR SALE BY U.S. GEOLOGICAL SURVEY, DENVER, COLORADO 80225, OR RESTON, VIRGINIA 22092
A FOLDER DESCRIBING TOPOGRAPHIC MAPS AND SYMBOLS IS AVAILABLE ON REQUEST

Revisions shown in purple compiled from aerial photographs taken 1977. Map edited 1979
This information not field checked

1950
PHOTOREVISED 1979
DMA 5270 1 NW-SERIES V873

FEB - 5 1980
1250