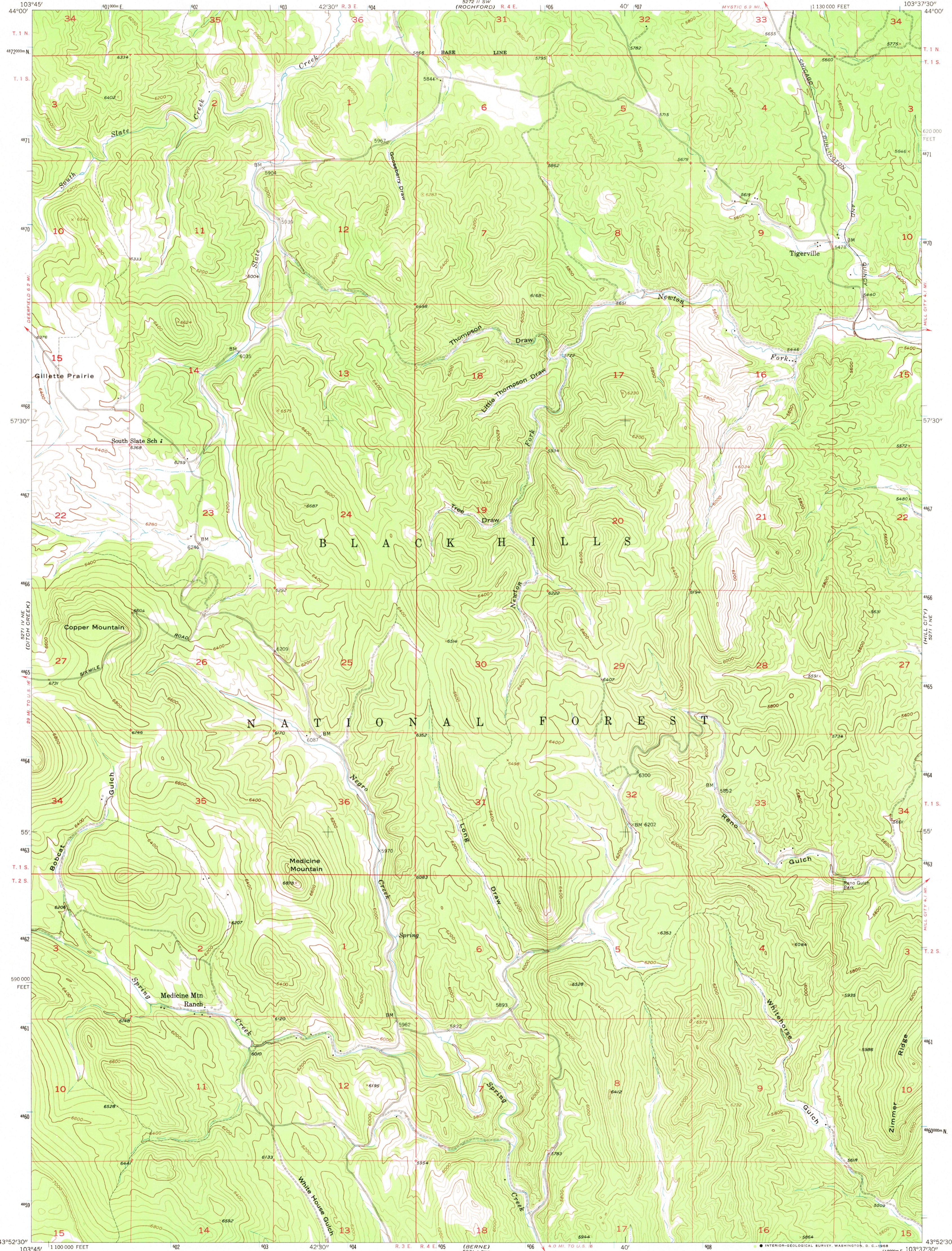
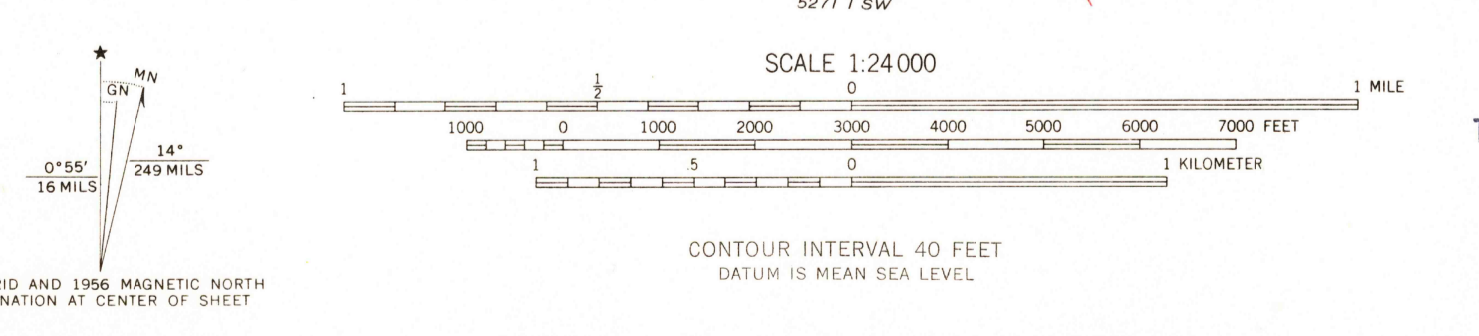


DEERFIELD 6.2 MI.
5271 IV SE
5271 IV SE

5271 II SE
5271 II SE
(SILVER CITY)



Mapped, edited, and published by the Geological Survey
Control by USGS and USC&GS
Topography from aerial photographs by multiplex methods
Aerial photographs taken 1954. Field check 1956
Polyconic projection. 1927 North American datum
10,000-foot grid based on South Dakota coordinate system,
south zone
1000-meter Universal Transverse Mercator grid ticks,
zone 13, shown in blue
Unchecked elevations are shown in brown



USGS
HISTORICAL FILE
TOPOGRAPHIC DIVISION

ROAD CLASSIFICATION
Light-duty ——— Unimproved dirt - - - - -

SOUTH DAKOTA
QUADRANGLE LOCATION
U.S.G.S.
FILE COPY
TOPOGRAPHIC DIVISION

MEDICINE MOUNTAIN, S. DAK.
NW/4 CUSTER 15' QUADRANGLE
N4352.5-W10337.5/7.5
1956
AMS 5271 I NW—SERIES 8783

THIS MAP COMPLIES WITH NATIONAL MAP ACCURACY STANDARDS
FOR SALE BY U.S. GEOLOGICAL SURVEY, DENVER COLORADO 80225, OR WASHINGTON, D. C. 20242
A FOLDER DESCRIBING TOPOGRAPHIC MAPS AND SYMBOLS IS AVAILABLE ON REQUEST

2000
FEB 4 1959