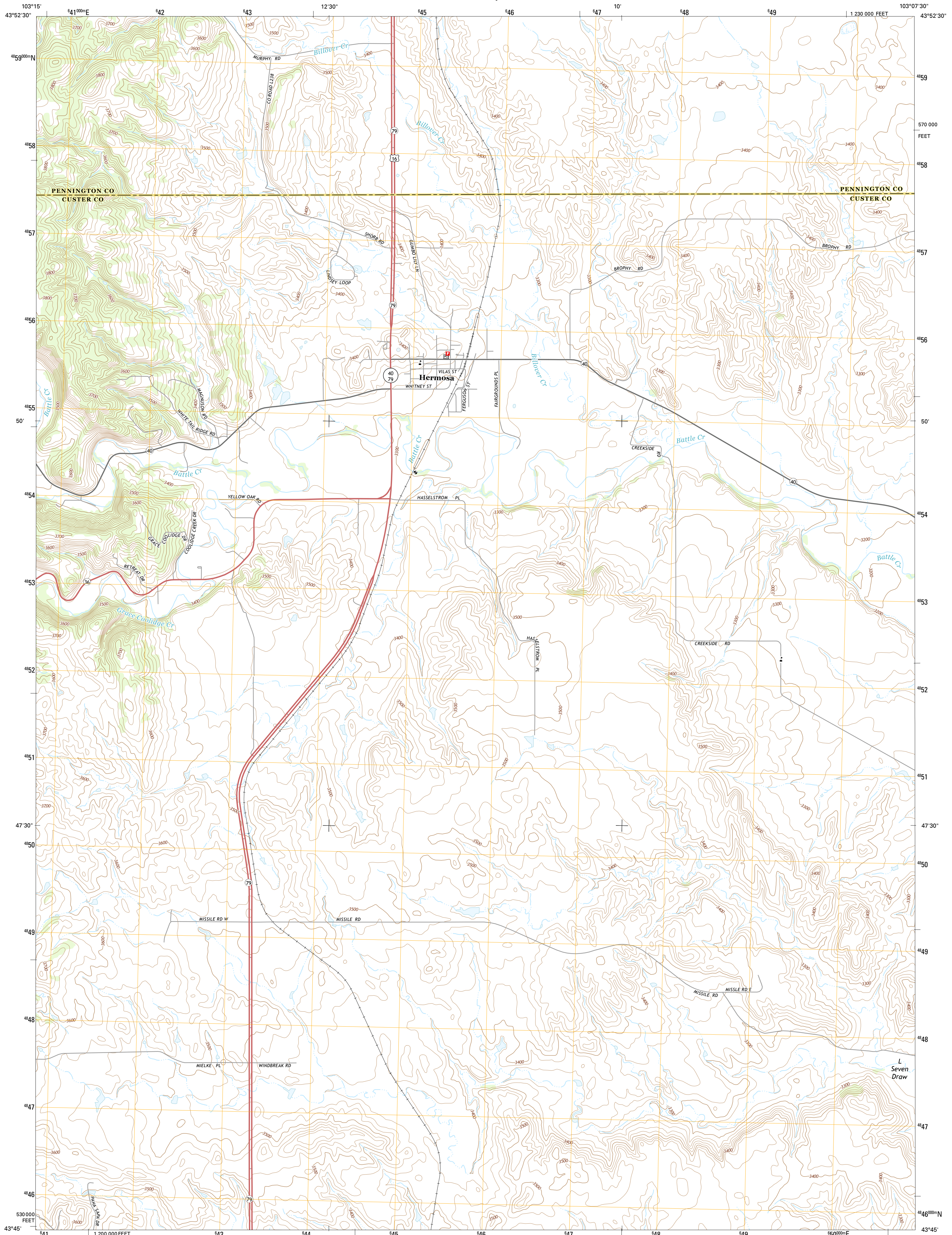




U.S. DEPARTMENT OF THE INTERIOR
U.S. GEOLOGICAL SURVEY



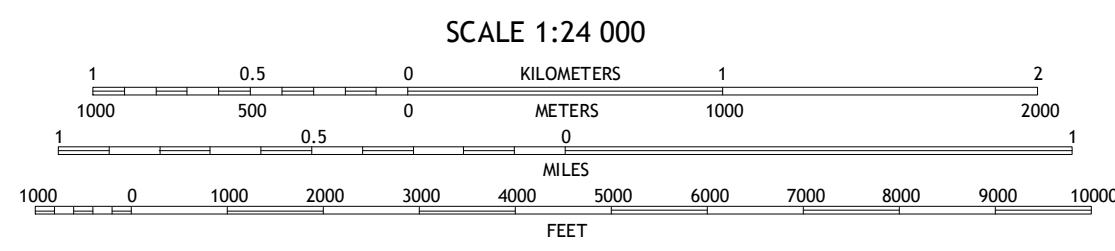
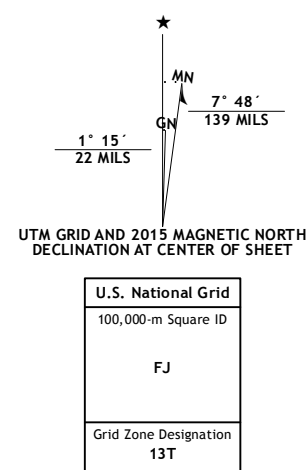
HERMOSA QUADRANGLE
SOUTH DAKOTA
7.5-MINUTE SERIES



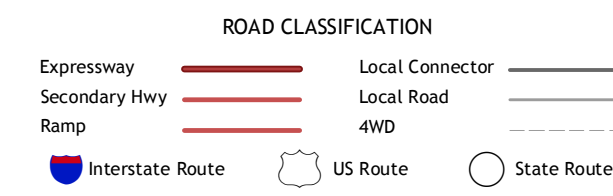
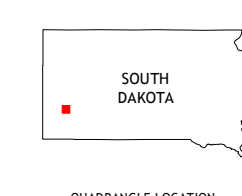
Produced by the United States Geological Survey
North American Datum of 1983 (NAD83)
World Geodetic System of 1984 (WGS84), Projection and
1 000-meter grid: Universal Transverse Mercator, Zone 13T
10 000-foot ticks: South Dakota Coordinate System of 1983
(south zone)

This map is not a legal document. Boundaries may be
generalized for this map scale. Private lands within government
reservations may not be shown. Obtain permission before
entering private lands.

Imagery: N/AIP, July 2014
Roads: HERE, ©2013 - 2014
Names: GNIS, 2015
Hydrography: National Hydrography Dataset, 2014
Contours: National Elevation Dataset, 2009
Boundaries: Multiple sources; see metadata file 1972 - 2015
Public Land Survey System: BLM, 2015



CONTOUR INTERVAL 20 FEET
NORTH AMERICAN VERTICAL DATUM OF 1988
This map was produced to conform with the
National Geospatial Program US Topo Product Standard, 2011.
A metadata file associated with this product is draft version 0.6.18



ADJOINING QUADRANGLES

1	2	3
4	5	6
7	8	9

1 Rockerville
2 Hermosa NW
3 Hermosa NE
4 Hayward
5 Hermosa SE
6 Butcher Hill
7 Fairburn
8 Fairburn NE

HERMOSA, SD
2015

