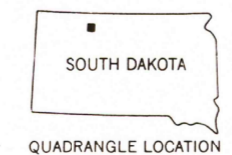
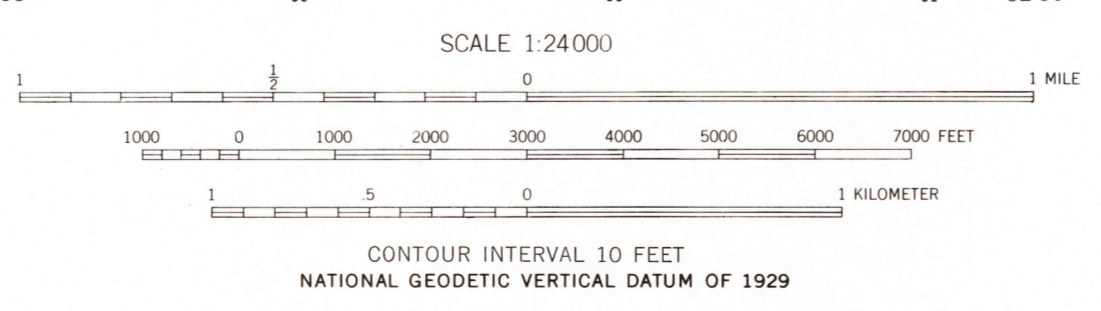
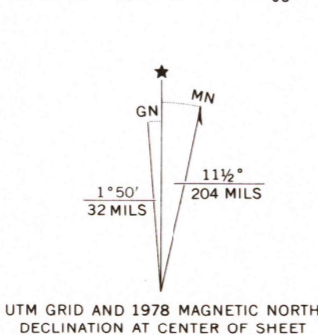


Mapped, edited, and published by the Geological Survey as part of the Department of the Interior program for the development of the Missouri River Basin  
Control by USGS and USC&GS  
Topography from aerial photographs by multiple methods  
Aerial photographs taken 1950. Field check 1956  
Polyconic projection. 1927 North American datum  
10,000-foot grid based on South Dakota coordinate system, north zone  
1000-meter Universal Transverse Mercator grid ticks, zone 14, shown in blue  
Entire area lies within the Standing Rock Indian Reservation  
Revisions shown in purple compiled from aerial photographs taken 1975. Map edited 1978. This information not field checked



ROAD CLASSIFICATION  
Light-duty ----- Unimproved dirt -----

COTTONWOOD CREEK SE, S. DAK.  
N 4530—W 10130/7.5  
1956  
PHOTOREVISED 1978  
AMS 5675 II SE—SERIES V873

SEP 0 1 1978

THIS MAP COMPLIES WITH NATIONAL MAP ACCURACY STANDARDS  
FOR SALE BY U.S. GEOLOGICAL SURVEY, DENVER, COLORADO 80225, OR RESTON, VIRGINIA 22092  
A FOLDER DESCRIBING TOPOGRAPHIC MAPS AND SYMBOLS IS AVAILABLE ON REQUEST

USGS  
Historical File  
Topographic Division

2950