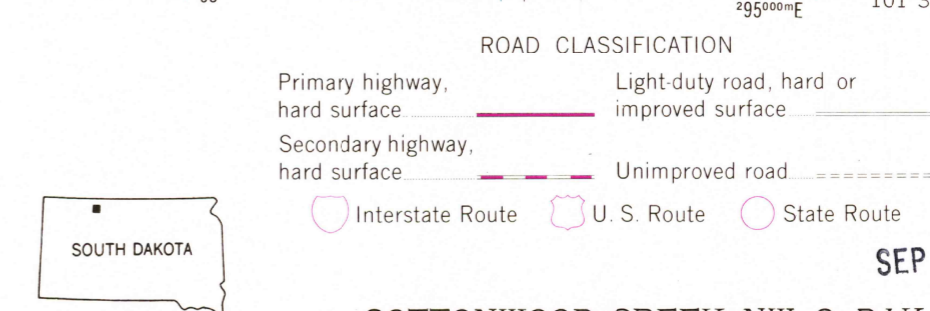
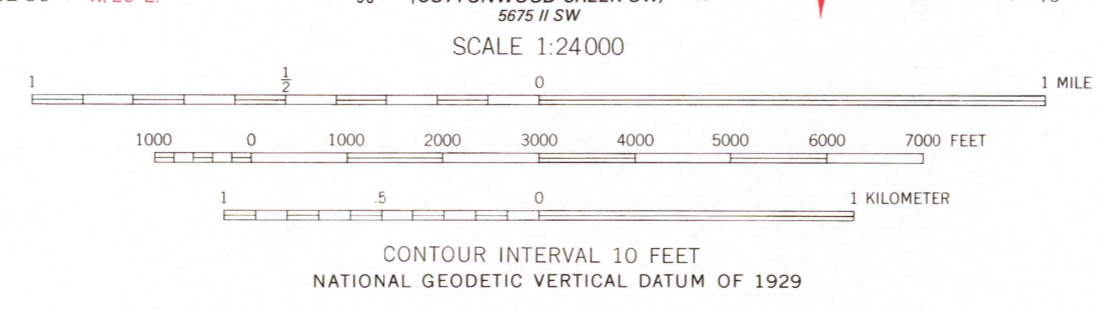
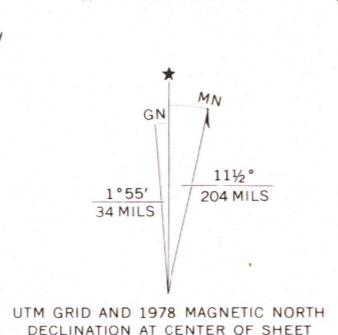


Mapped, edited, and published by the Geological Survey as part of the Department of the Interior program for the development of the Missouri River Basin
Control by USGS and USC&GS
Topography from aerial photographs by multiplex methods
Aerial photographs taken 1950. Field check 1956
Polyconic projection. 1927 North American datum
10,000-foot grid based on South Dakota coordinate system, north zone
1000-meter Universal Transverse Mercator grid ticks, zone 14, shown in blue
Entire area lies within the Standing Rock Indian Reservation
Revisions shown in purple compiled from aerial photographs taken 1975. Map edited 1978. This information not field checked



COTTONWOOD CREEK NW, S. DAK.
USGS N4537.5-W10137.5/7.5
Historical File
Topographic Division
1956
PHOTOREVISED 1978
AMS 5675 II NW—SERIES V873

SEP 11 1978

300