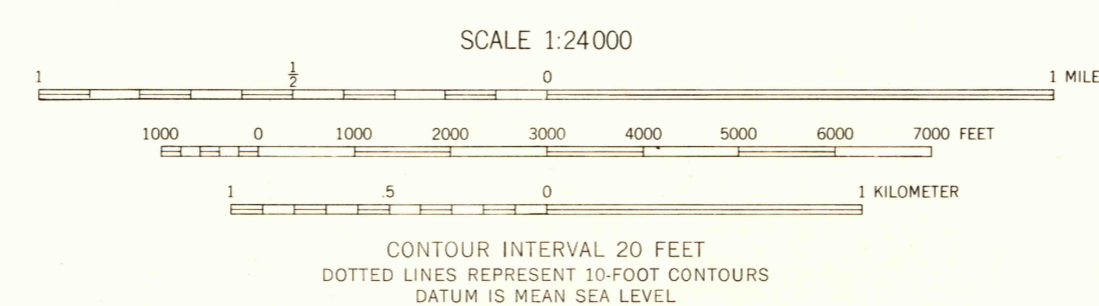
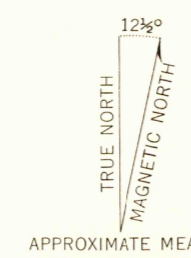


U.S.G.S.
FILE COPY
TOPOGRAPHIC DIVISION

Cherry Creek 1 MI.
Mapped, edited, and published by the Geological Survey
as part of the Department of the Interior program
for the development of the Missouri River Basin
Control by USGS and USC&GS
Topography from aerial photographs by multiplex methods
Aerial photographs taken 1948. Field check 1956
Polyconic projection. 1927 North American datum
10,000-foot grids based on South Dakota coordinate system,
north and south zones
1000-meter Universal Transverse Mercator grid ticks,
zone 14, shown in blue



USGS
HISTORICAL FILE
TOPOGRAPHIC DIVISION
SOUTH DAKOTA
QUADRANGLE LOCATION

ROAD CLASSIFICATION
Light-duty _____ Unimproved dirt _____

CHERRY CREEK NW, S. DAK.
N4437.5-W10122.5/7.5

U.S.G.S.
FILE COPY
TOPOGRAPHIC DIVISION

THIS MAP COMPLIES WITH NATIONAL MAP ACCURACY STANDARDS
FOR SALE BY U. S. GEOLOGICAL SURVEY, DENVER 2, COLORADO OR WASHINGTON 25, D. C.
A FOLDER DESCRIBING TOPOGRAPHIC MAPS AND SYMBOLS IS AVAILABLE ON REQUEST

1956

SEP 16 1957

2155