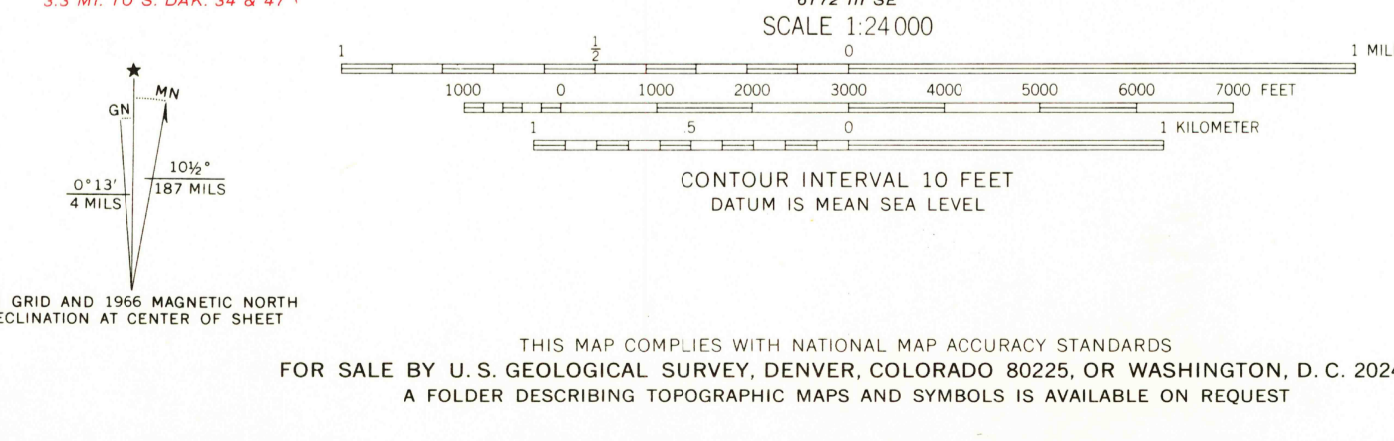


Maped, edited, and published by the Geological Survey as part of the Department of the Interior program for the development of the Missouri River Basin Control by USGS and USC&GS
Topography by photogrammetric methods from aerial photographs taken 1965. Field checked 1966
Polyconic projection. 1927 North American datum 10,000-foot grids based on South Dakota coordinate system, south and north zones
1000 meter Universal Transverse Mercator grid ticks, zone 14, shown in blue
Fine red dashed lines indicate selected fence and field lines where generally visible on aerial photographs. This information is unchecked



USGS HISTORICAL FILE TOPOGRAPHIC DIVISION
ROAD CLASSIFICATION
Medium-duty — Light-duty
Unimproved dirt —
SOUTH DAKOTA
BIG BEND DAM NE, S. DAK.
N4407.5—W9915/7.5
1966
AMS 6172 III NE—SERIES W873

BIG BEND DAM
6172 III NE

2755
NOV 7 1967

FILE COPY
TOPOGRAPHIC DIVISION