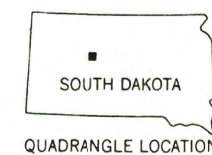
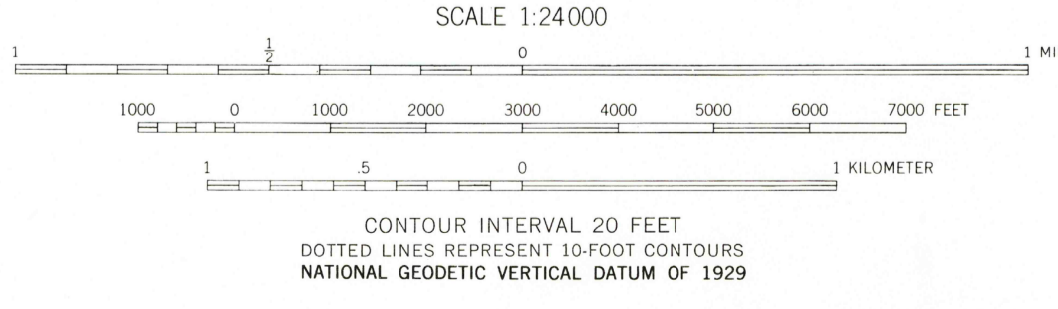
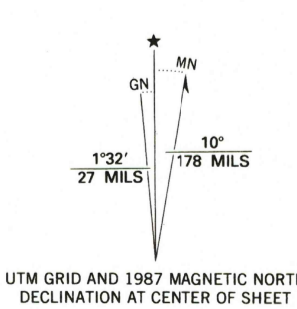


Mapped, edited, and published by the Geological Survey as part of the Department of the Interior program for the development of the Missouri River Basin Control by USGS and NOS/NOAA. Topography from aerial photographs by multiplex methods and by planetable surveys 1956. Aerial photographs taken 1948. Polyconic projection. 1927 North American Datum 10,000-foot grid based on South Dakota coordinate system, north and south zones. 1000-meter Universal Transverse Mercator grid ticks zone 14, shown in blue. To place on the predicted North American Datum 1983, move the projection lines 6 meters north and 36 meters east as shown by dashed corner ticks. There may be private inholdings within the boundaries of the National or State reservations shown on this map. Areas covered by dashed light-blue pattern are subject to controlled inundation. Elevation flood control pool 1620.



ROAD CLASSIFICATION

Light-duty	Unimproved dirt
State Route	

ALLEMAN STATION, S. DAK.  
44101-F2-TF-024

THIS MAP COMPLIES WITH NATIONAL MAP ACCURACY STANDARDS  
FOR SALE BY U. S. GEOLOGICAL SURVEY, DENVER, COLORADO 80225, OR RESTON, VIRGINIA 22092  
A FOLDER DESCRIBING TOPOGRAPHIC MAPS AND SYMBOLS IS AVAILABLE ON REQUEST

Revisions shown in purple compiled from aerial photographs taken 1984 and other sources. This information not field checked. Map edited 1987.

1956 PHOTOREVISED 1987  
DMA 5773 II NW-SERIES 5873