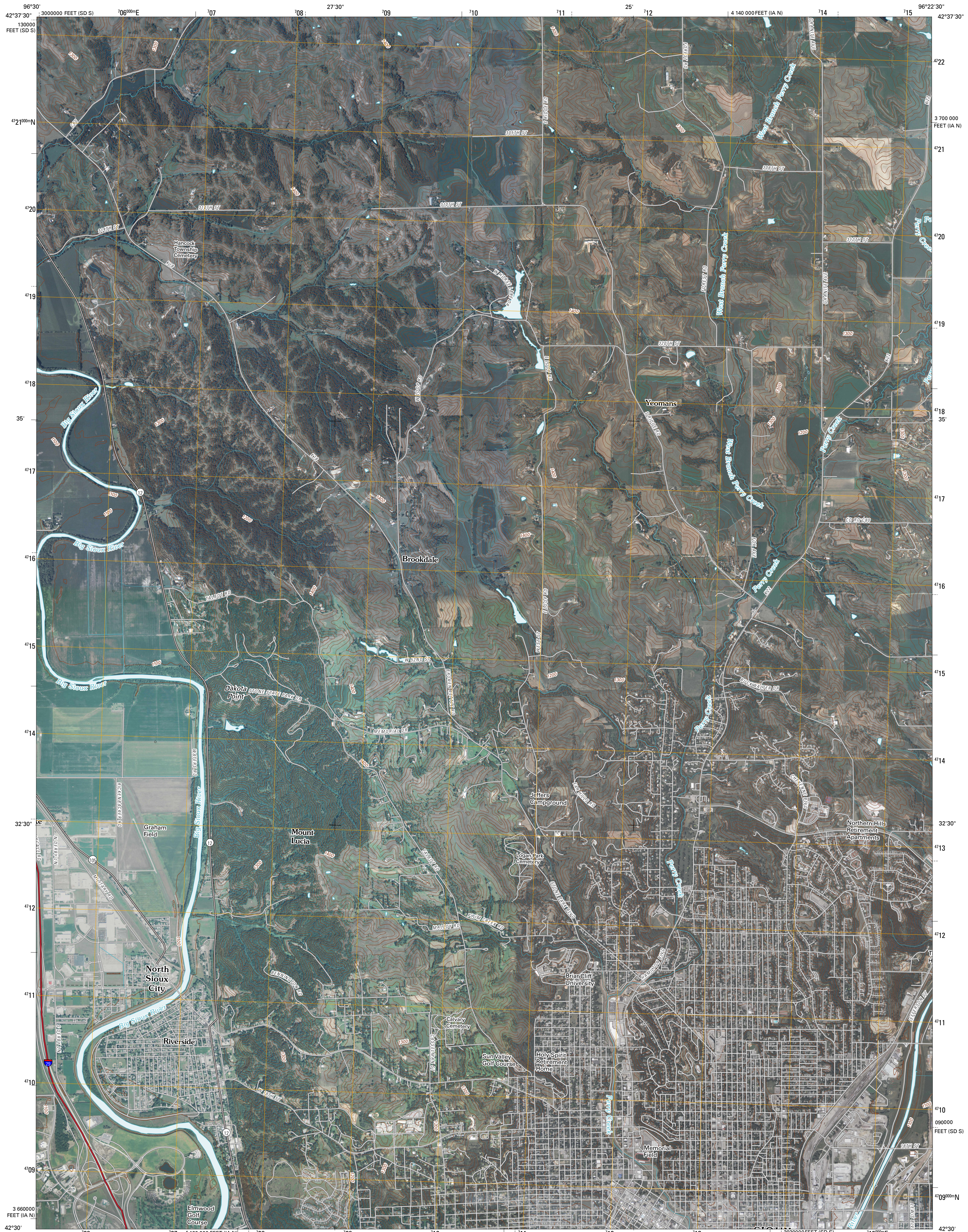




U.S. DEPARTMENT OF THE INTERIOR
U. S. GEOLOGICAL SURVEY

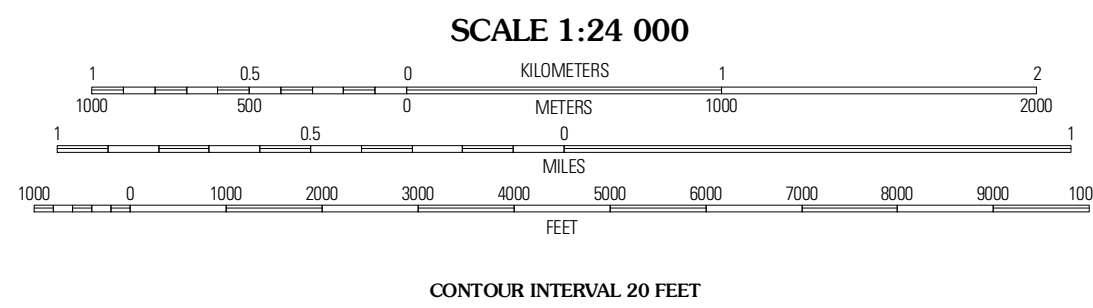
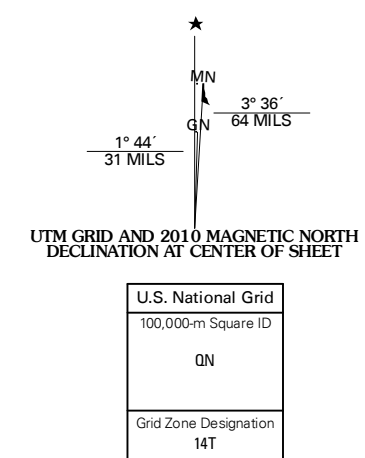


SIOUX CITY NORTH QUADRANGLE
IOWA-SOUTH DAKOTA
7.5-MINUTE SERIES



Produced by the United States Geological Survey
North American Datum of 1983 (NAD83)
World Geodetic System of 1984 (WGS84). Projection and
1 000-meter grid: Universal Transverse Mercator, Zone 14T
10 000-foot ticks: Iowa Coordinate System of 1983
(north zone) and South Dakota Coordinate System of 1983
(south zone)

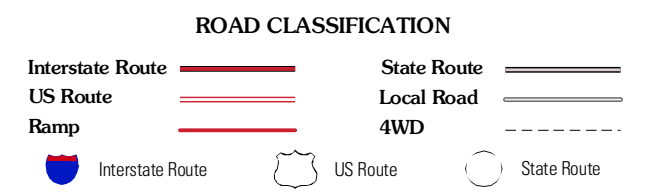
Imagery: N.A.P., August 2006 - August 2008
Roads: US Census Bureau TIGER data
with limited USGS updates, 2004 - 2008
Names: GNIS, 2008
Hydrography: National Hydrography Dataset, 2006
Contours: National Elevation Dataset, 2008



This map was produced to conform with version 0.5.10 of the
draft USGS Standards for 7.5-Minute Quadrangle Maps.
A metadata file associated with this product is also draft version 0.5.10



QUADRANGLE LOCATION		
Elk Point NE	Millerville	Hinton
Jefferson	Sioux City North	James
Jackson	Sioux City South	Sergeant Bluff



SIOUX CITY NORTH, IA-SD
2010