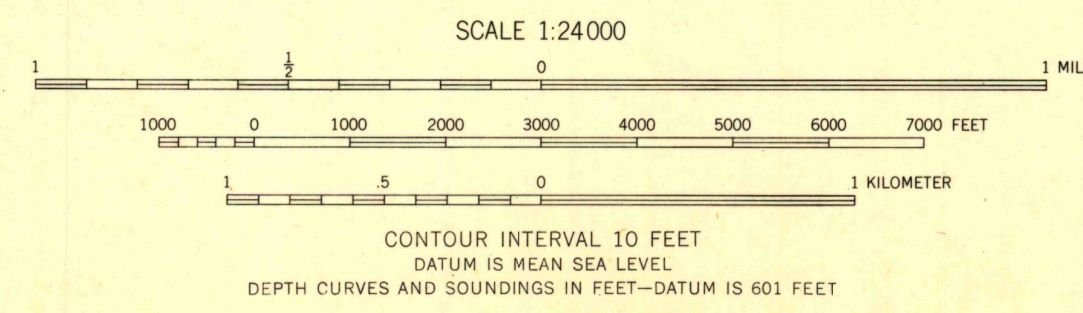


Mapped, edited, and published by the Geological Survey
Control by USGS and USC&GS
Topography from aerial photographs by photogrammetric methods
Aerial photographs taken 1954. Field check 1956
Hydrography compiled from U. S. Lake Survey chart 97 (1951)
Polyconic projection. 1927 North American datum
10,000-foot grid based on Minnesota coordinate system, north zone
1000-meter Universal Transverse Mercator grid ticks,
zone 15, shown in blue
Unchecked elevations are shown in brown

TRUE NORTH
MAGNETIC NORTH
APPROXIMATE MEAN
DECLINATION, 1956



USGS
Historical File
Topographic Division

ROAD CLASSIFICATION
Heavy-duty ——— Light-duty ———
Unimproved dirt - - - - -
U. S. Route

U.S.G.S.
FILE COPY
Topographic Division

MINN.
QUADRANGLE LOCATION

LITTLE MARAIS, MINN.
NE 1/4 FINLAND 15' QUADRANGLE
N 4722.5 - W 9057.5 (7.5 X 10)

1956

THIS MAP COMPLIES WITH NATIONAL MAP ACCURACY STANDARDS
FOR SALE BY U. S. GEOLOGICAL SURVEY, DENVER 2, COLORADO OR WASHINGTON 25, D. C.
A FOLDER DESCRIBING TOPOGRAPHIC MAPS AND SYMBOLS IS AVAILABLE ON REQUEST

MAR - 6 1956
1925