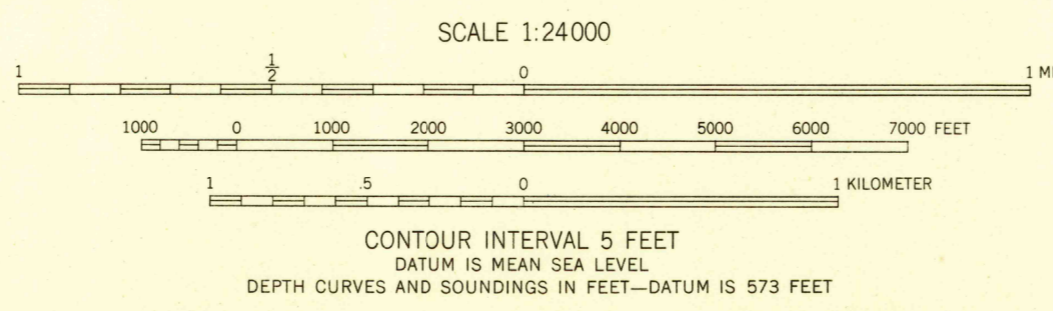
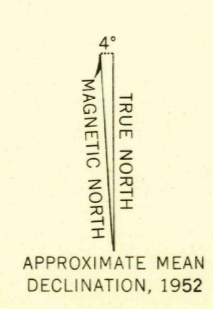


Mapped, edited, and published by the Geological Survey
Control by USGS, USC&GS, and USCE
Culture and drainage in part compiled from aerial photographs
Topography by plane-table surveys 1937. Culture revised 1952
Hydrography from US Lake Survey Chart 42 (1:60,000)
Canadian topography copied from St. Clair Flats Quadrangle
(1:63,360) 1908, revised 1924, Canadian
Department of National Defence
Polyconic projection, 1927 North American datum
10,000-foot grid based on Michigan coordinate system,
east zone



ROAD CLASSIFICATION	
Heavy-duty	4 LANE 16 LANE Light-duty
Medium-duty	4 LANE 16 LANE Unimproved dirt
U.S. Route	State Route

ST. CLAIR FLATS, MICH.
N4230-W8237.5/7.5
1952

THIS MAP COMPLIES WITH NATIONAL MAP ACCURACY STANDARDS
FOR SALE BY U. S. GEOLOGICAL SURVEY, WASHINGTON 25, D. C.
A FOLDER DESCRIBING TOPOGRAPHIC MAPS AND SYMBOLS IS AVAILABLE ON REQUEST

MAR 12 1954
2005