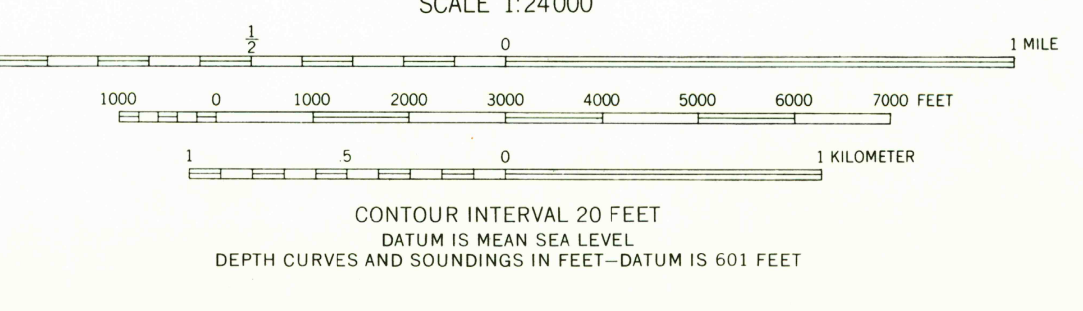
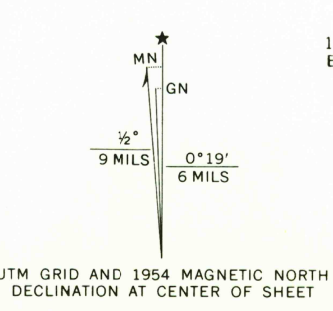




Mapped, edited, and published by the Geological Survey
Control by USGS, USC&GS, and U.S. Lake Survey
Topography from aerial photographs by multiplex methods
Aerial photographs taken 1951-1952. Field check 1954
Hydrography from U.S. Lake Survey Charts 93 (1:120 000)
and 935 (1:15 000)
Polyconic projection. 1927 North American datum
10,000-foot grid based on Michigan coordinate system,
west zone
Red tint indicates area in which only
landmark buildings are shown
1000-meter Universal Transverse Mercator grid ticks,
zone 16, shown in blue



ROAD CLASSIFICATION

Heavy-duty	4 LANE 6 LANE	Light-duty
Medium-duty	4 LANE 6 LANE	Unimproved dirt
U.S. Route		State Route

MARQUETTE, MICH.
SW/4 MARQUETTE 15' QUADRANGLE
N4630-W8722.5/7.5
1954
AMS 3577 III SW-SERIES V862

THIS MAP COMPLIES WITH NATIONAL MAP ACCURACY STANDARDS
FOR SALE BY U.S. GEOLOGICAL SURVEY, WASHINGTON, D. C. 20242
A FOLDER DESCRIBING TOPOGRAPHIC MAPS AND SYMBOLS IS AVAILABLE ON REQUEST

APR 10 1972
USGS
HISTORICAL FILE
TOPOGRAPHIC DIVISION
3295